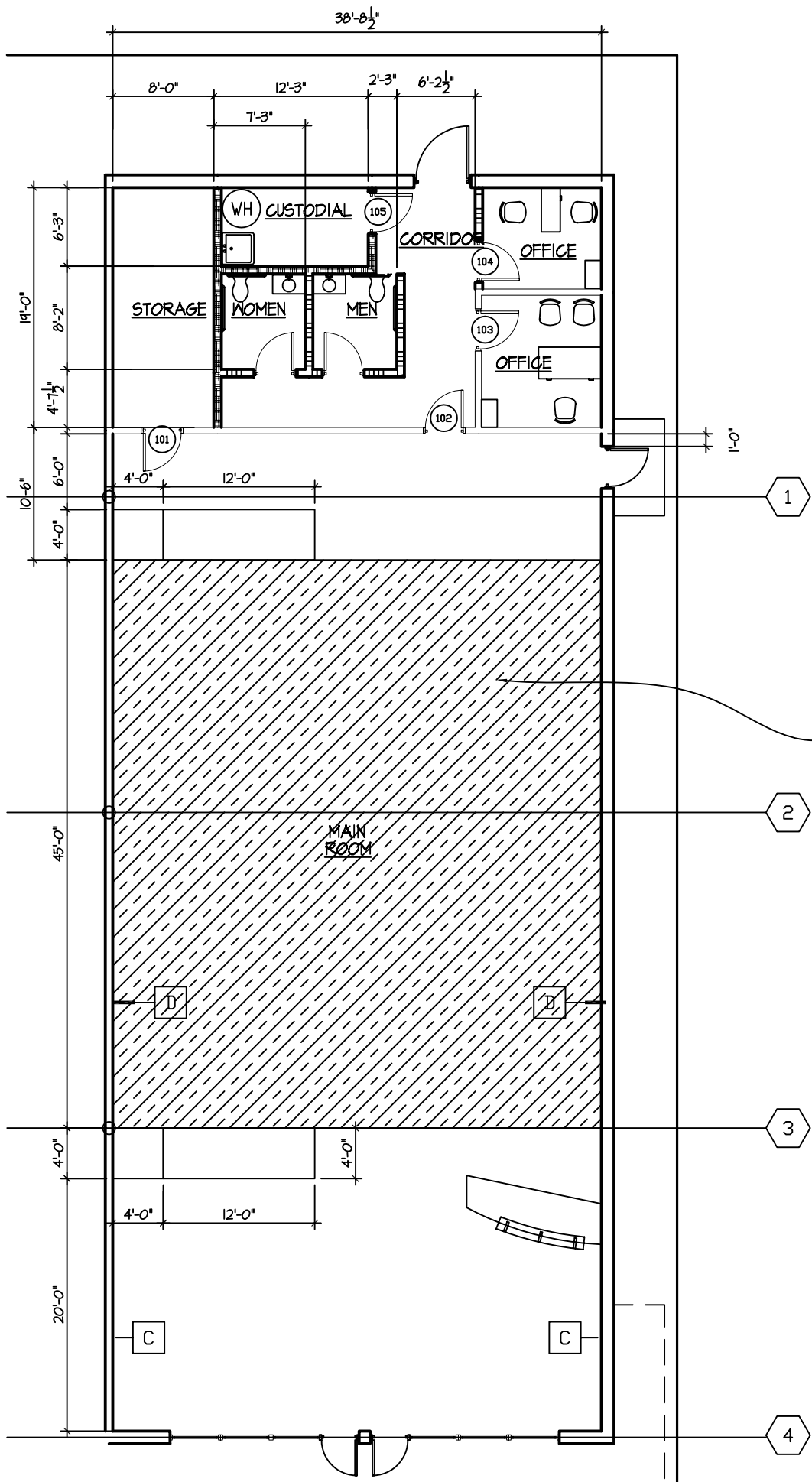


D



BUILT UP FLOOR AREA
(1741 s.f.)